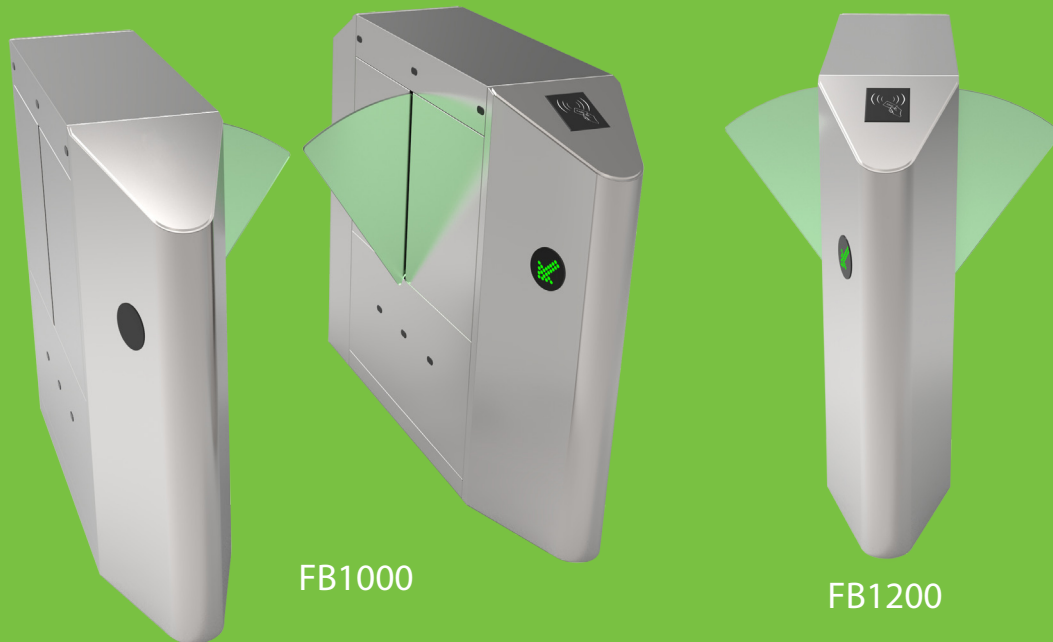


Biometric Flap Barrier



FB1000: Single Lane Flap Barrier

FB1011: Single Lane Flap Barrier with RFID Access Control System

FB1022: Single Lane Flap Barrier with Fingerprint and RFID Access Control System

FB1200: Double Wing Flap Barrier for Additional Lane

FB1211: Double Wing Flap Barrier for Additional Lane with RFID Access Control System

FB1222: Double Wing Flap Barrier for Additional Lane with Fingerprint and RFID Access Control System

FB1000 is a single-lane flap barrier consisting of a master-device and a slave-device to form an entrance.

FB1200 is a double-wing flap barrier to be equipped with FB1000 to form multi-entrances.

Flap Barriers are well adopted in entrances and exits of buildings or construction sites, to help tracking staffs and visitors. Only authorized users are able to access to specific areas through the flap barriers. Lights on the barriers are to indicate status of the flap barriers. Steady green lights indicate locked barriers. Blinking green lights indicate accessible barriers.

ZKTeco's assembled access control system significantly reduces costs for business partners. RFID, fingerprint verification, face recognition, and vein verification technologies are available for options of flexible access control system.

Features

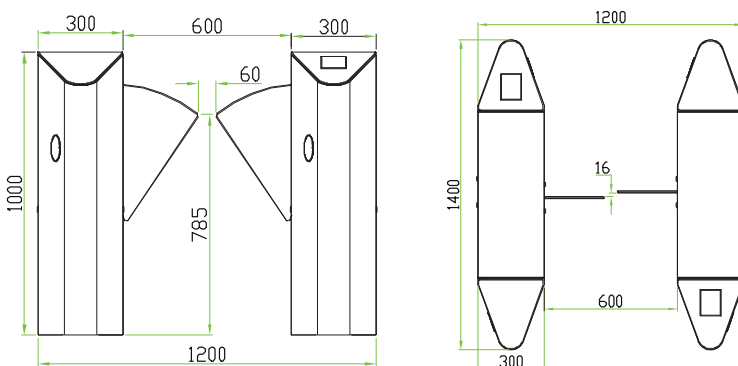
- Electronic Anti-Pinch Function: Auto-suspension of door closure when human is detected.
- Direct Current Operation: Low failure rate to ensure stability and reliability
- Alarm Function: Auto warning and alarming if unauthorized entry with swiping card occurs.
- Flexible switching of reader panel to assemble various readers.

Specifications

Passage Width	600mm
Capacity	25-30/minute
Flap opening/closing time	1S
Overall Width	1200mm
Barrier Height	785mm
Power Supply	AC110-220V,50Hz/60Hz
Operating Power Consumption	80W
Stationary Power Consumption	30W
Temperature	-28 to 60 °C
Net Weight	143Kg(FB1000) 86Kg(FB1200)
Gross Weight	212Kg(FB1000) 121Kg(FB1200)
Two way traffic	Yes
Automatic operation	Yes
Advanced sensor system	Yes
Audible alarm	Yes
LED lighting	Yes
Traffic indicator lights	Yes
Fail-safe	Yes

Model	FB1000	FB1011	FB1022	FB1200	FB1211	FB1222
Access Control	N/A	C3-200	InBio260	N/A	C3-200	InBio260
Reader	N/A	2*KR100E	2*FR1200	N/A	2*KR100E	2*FR1200
Card Capacity	N/A	30,000	30,000	N/A	30,000	30,000
Fingerprint Capacity	N/A	N/A	3,000	N/A	N/A	3,000
Event Capacity	N/A	100,000	100,000	N/A	100,000	100,000

Dimensions (mm)



ZKTeco Inc.
www.zkteco.com



© Copyright 2015. ZKTeco Inc. ZKTeco Logo is a registered trademark of ZKTeco or a related company. All other product and company names mentioned are used for identification purposes only and may be the trademarks of their respective owners. All specifications are subject to change without notice. All rights reserved.